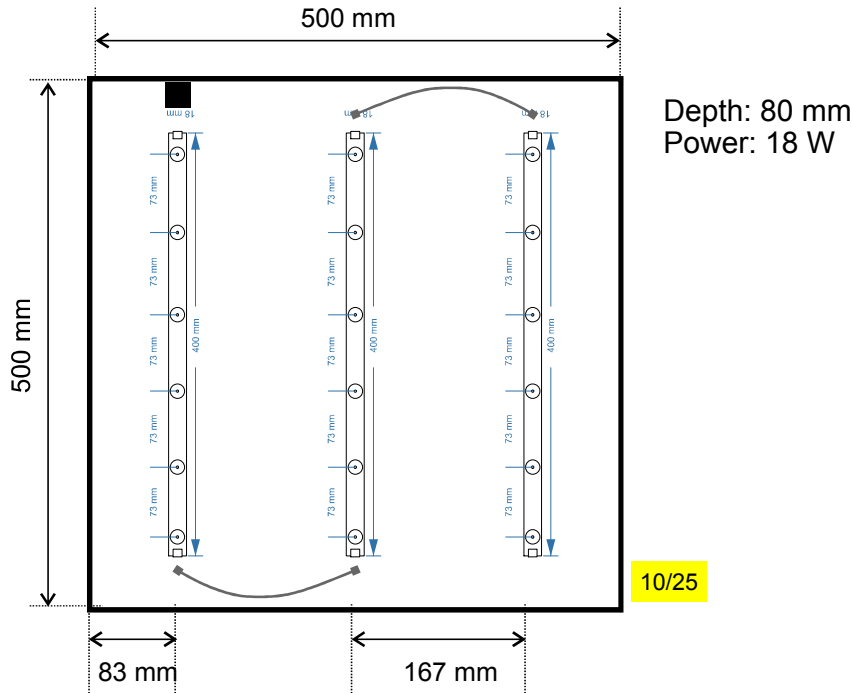


Box dimensions : 500 / 500 / 80mm


Economy Version

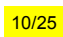
Layout of LED modules




Specification

 LED MODULE D1000/LM400(6W) – 3 pcs

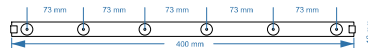
 CABLE D1000/250 mm – 2 pcs

 **10/25** DRIVER D1000/10-25W – 1 pc

 END CAP D1000/2PIN – 1pc

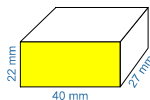
Technical data

LED MODULE D1000/LM400



type of diode **SMD2835**
dimensions **400 x 18mm**
power **6W**
color temperature **5700 - 6000K**
beam angle **160°**
emitted light **135lm/W**
IP class **24**
light decay **<5%/Year**
operating current **220 - 240mA**

DRIVER D1000 / 10-25W



dimensions **40/27/22mm**
power **10-25W**
input **AC 165-265V 50/60Hz**
output **DC 30-90V 240mA**
IP class **24**

CONNECTING CABLE 250MM D1000 / C250



length **250mm**

END CAP D1000 / 2 PINS



2 **Pin**